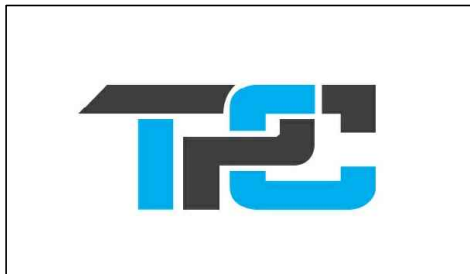




NATIONAL BANK OF PAKISTAN

**CONSTRUCTION OF
NBP PAF BULHARI BRANCH
HYDERABAD REGION.**

**BIDDING DRAWINGS
JUNE,2022**



**TECH-PROFESSIONALS AND
CONSULTANTS (PVT) LIMITED
ENGINEERS - ARCHITECTS - LEGAL ADVISORS**

**OFFICE NO.301 THIRD FLOOR, 80-C 11TH COMMERCIAL STREET
MAIN KHAYABAN-E-ITTEHAD DHA PHASE II (EXT.) KARACHI**

ARCHITECTURE			
S.NO	DRAWING NO	TITLE	REV
1	TPC-002-A-L01	List of Drawings	01
2	TPC-002-A-001	Ground Floor Plan	01
3	TPC-002-A-001-A	Ground Floor Furniture Layout Plan	01
4	TPC-002-A-002	First Floor Plan	01
5	TPC-002-A-002-A	First Floor Furniture Layout Plan	01
6	TPC-002-A-003	ROOF PLAN AND O.H.T	01
7	TPC-002-A-004	Elevations	01
8	TPC-002-A-005	Elevations	01
9	TPC-002-A-006	Sections	01
10	TPC-002-A-007	Sections	01
11	TPC-002-A-008	Railing Detail U.G.T Sections	01
12	TPC-002-A-009	Details	01
13	TPC-002-A-S01	Finishes Schedules and Description	01
14	TPC-002-A-D01	Door Schedule	01
15	TPC-002-A-W01	Window Schedule	01

LIST OF ARCHITECTURAL DRAWINGS



NATIONAL BANK OF PAKISTAN

PROJECT: NBP PAF Bhulari Branch (000) Hyderabad Region.

TITLE: LIST OF ARCHITECTURAL DRAWINGS

CONSULTANT:

Tech - Professionals and Consultants (Pvt) Ltd

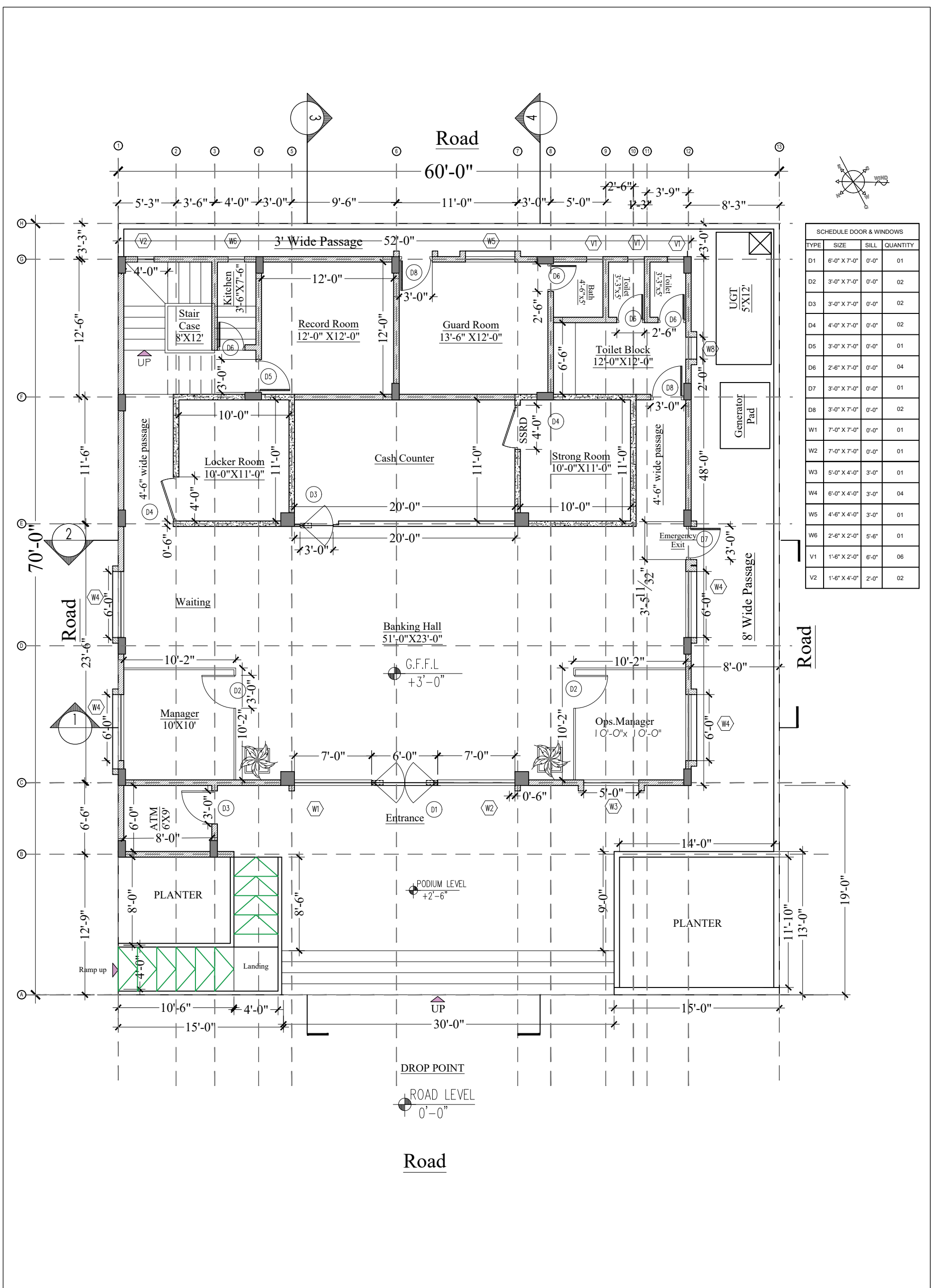


DATE: 05/06/22

JOB NO: 001

DWG NO: DWG. NO. TPC-002-A-L01

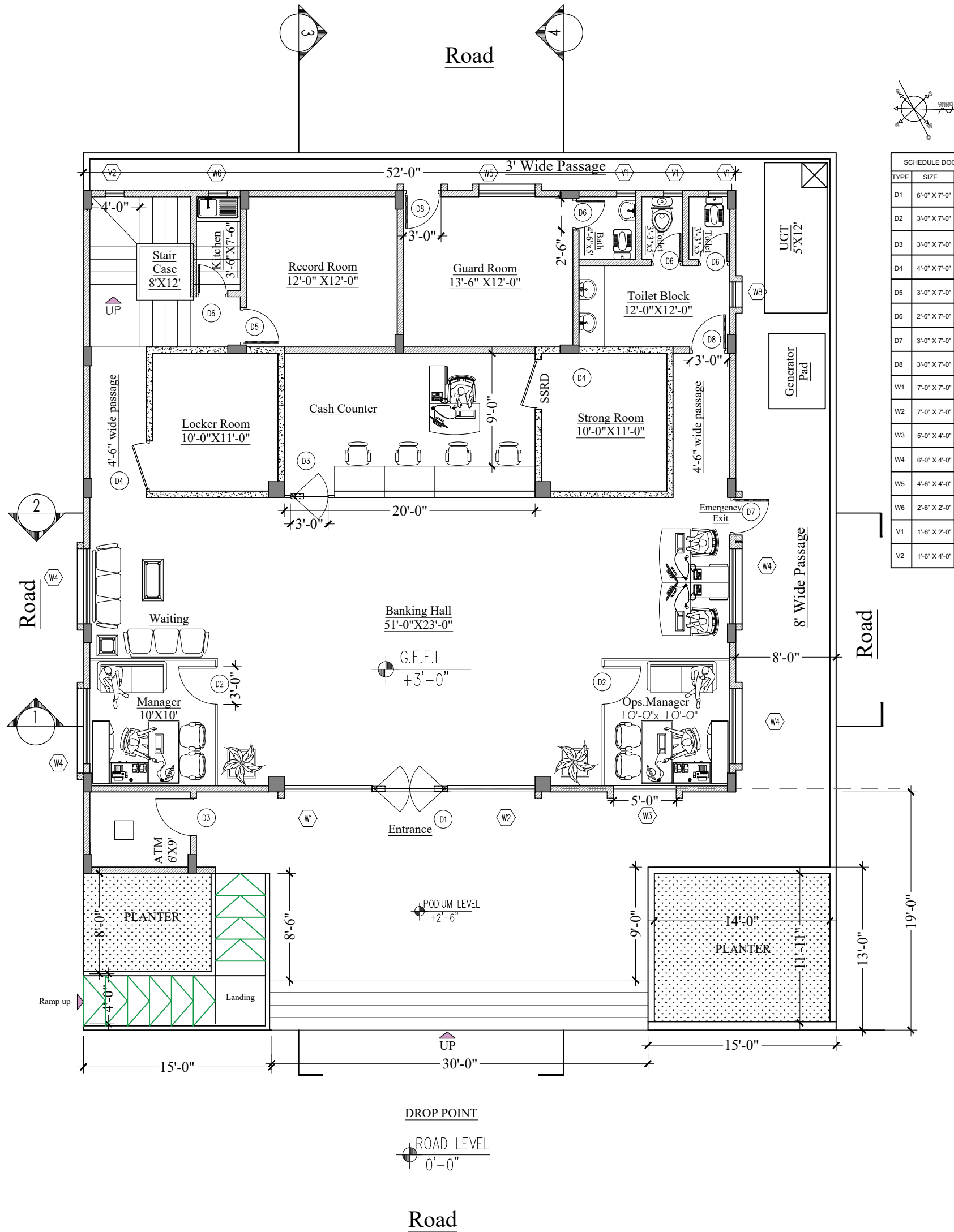
REV: 01



SCHEDULE DOOR & WINDOWS			
TYPE	SIZE	SILL	QUANTITY
D1	6'-0" X 7'-0"	0'-0"	01
D2	3'-0" X 7'-0"	0'-0"	02
D3	3'-0" X 7'-0"	0'-0"	02
D4	4'-0" X 7'-0"	0'-0"	02
D5	3'-0" X 7'-0"	0'-0"	01
D6	2'-6" X 7'-0"	0'-0"	04
D7	3'-0" X 7'-0"	0'-0"	01
D8	3'-0" X 7'-0"	0'-0"	02
W1	7'-0" X 7'-0"	0'-0"	01
W2	7'-0" X 7'-0"	0'-0"	01
W3	5'-0" X 4'-0"	3'-0"	01
W4	6'-0" X 4'-0"	3'-0"	04
W5	4'-6" X 4'-0"	3'-0"	01
W6	2'-6" X 2'-0"	5'-6"	01
V1	1'-6" X 2'-0"	6'-0"	06
V2	1'-6" X 4'-0"	2'-0"	02



GROUND FLOOR PLAN
SCALE: 1/8 = 1'- 0"

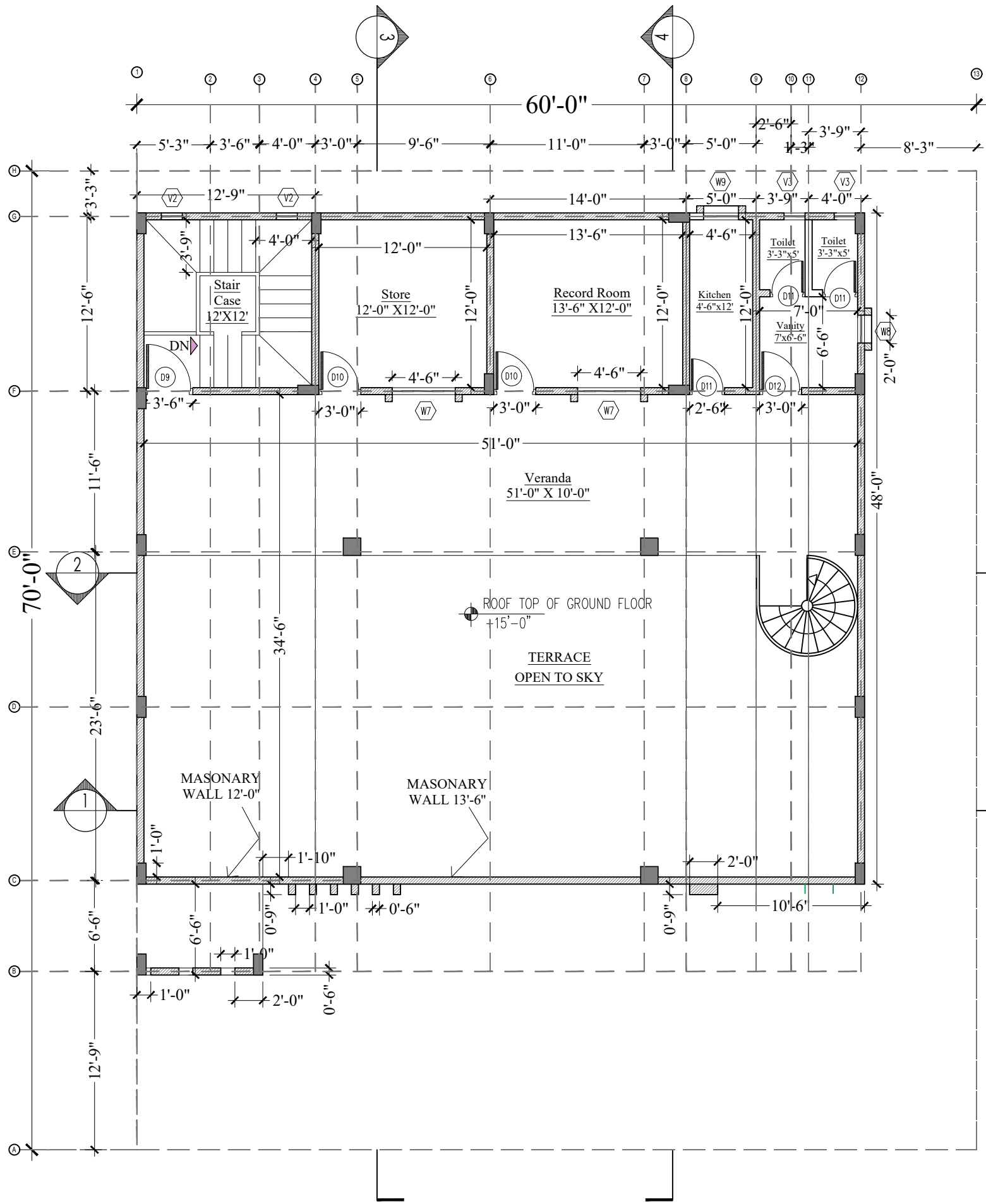
NBP NATIONAL BANK OF PAKISTAN
 PROJECT: NBP PAF Bhulari Branch (000) Hyderabad Region.
 TITLE: GROUND FLOOR PLAN (WORKING DRAWING)
 CONSULTANT: Tech - Professionals and Consultants (Pvt) Ltd
 DATE: 05/06/22 JOB NO: 001 DWG NO: DWG. NO. TPC-002-A-001 REV: 01



SCHEDULE DOOR & WINDOWS			
TYPE	SIZE	SILL	QUANTITY
D1	6'-0" X 7'-0"	0'-0"	01
D2	3'-0" X 7'-0"	0'-0"	02
D3	3'-0" X 7'-0"	0'-0"	02
D4	4'-0" X 7'-0"	0'-0"	02
D5	3'-0" X 7'-0"	0'-0"	01
D6	2'-6" X 7'-0"	0'-0"	04
D7	3'-0" X 7'-0"	0'-0"	01
D8	3'-0" X 7'-0"	0'-0"	02
W1	7'-0" X 7'-0"	0'-0"	01
W2	7'-0" X 7'-0"	0'-0"	01
W3	5'-0" X 4'-0"	3'-0"	01
W4	6'-0" X 4'-0"	3'-0"	04
W5	4'-6" X 4'-0"	3'-0"	01
W6	2'-6" X 2'-0"	5'-6"	01
V1	1'-6" X 2'-0"	6'-0"	06
V2	1'-6" X 4'-0"	2'-0"	02

GROUND FLOOR PLAN
SCALE: 1/8 = 1'- 0"

 NATIONAL BANK OF PAKISTAN			
PROJECT: NBP PAF Bhulari Branch (000) Hyderabad Region.			
TITLE: GROUND FLOOR FURNITURE LAYOUT PLAN			
CONSULTANT: Tech - Professionals and Consultants (Pvt) Ltd 			
DATE: 05/06/22	JOB NO: 001	DWG NO: DWG. NO. TPC-002-A-001-A	REV: 01



SCHEDULE DOOR & WINDOWS (First)			
D9	3'-6" X 7'-0"	0'-0"	01
D10	3'-0" X 7'-0"	0'-0"	02
D11	2'-6" X 7'-0"	0'-0"	03
D12	3'-0" X 7'-0"	0'-0"	01
W7	4'-6" X 4'-0"	3'-0"	02
W8	2'-0" X 4'-0"	3'-0"	02
W9	2'-6" X 2'-0"	3'-0"	01
V3	1'-6" X 2'-0"	6'-0"	02

FIRST FLOOR PLAN
SCALE: 1/8 = 1'- 0"



NATIONAL BANK OF PAKISTAN

PROJECT: NBP PAF Bhulari Branch (000) Hyderabad Region.

TITLE: FIRST FLOOR PLAN (WORKING DRAWING)

CONSULTANT:

Tech - Professionals and Consultants (Pvt) Ltd

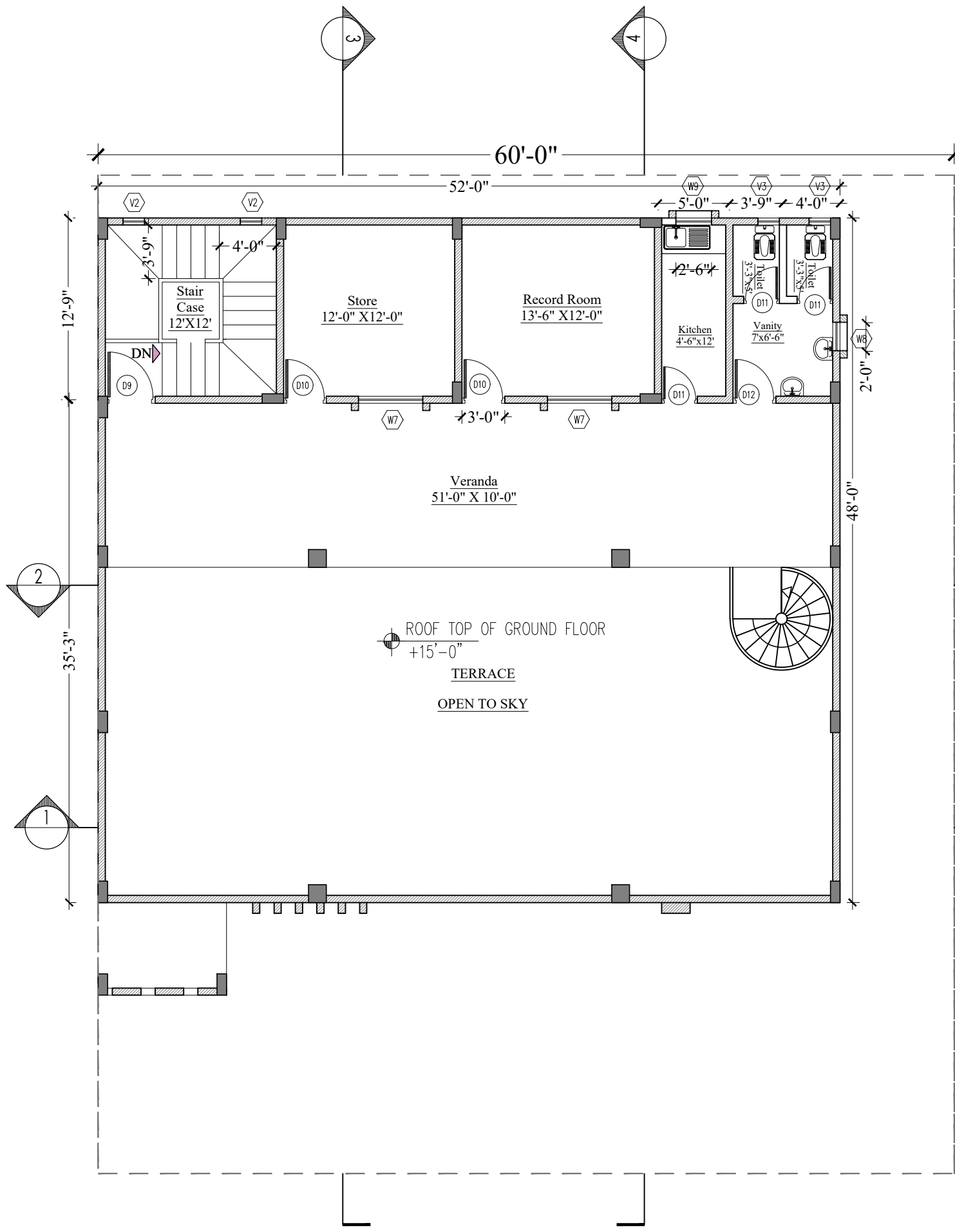


DATE: 05/06/22

JOB NO: 001

DWG NO: DWG. NO. TPC-002-A-002

REV: 01



SCHEDULE DOOR & WINDOWS (First)			
D9	3'-6" X 7'-0"	0'-0"	01
D10	3'-0" X 7'-0"	0'-0"	02
D11	2'-6" X 7'-0"	0'-0"	03
D12	3'-0" X 7'-0"	0'-0"	01
W7	4'-6" X 4'-0"	3'-0"	02
W8	2'-0" X 4'-0"	3'-0"	02
W9	2'-6" X 2'-0"	3'-0"	01
V3	1'-6" X 2'-0"	6'-0"	02

FIRST FLOOR PLAN
SCALE: 1/8 = 1'- 0"



NATIONAL BANK OF PAKISTAN

PROJECT: NBP PAF Bhulari Branch (000) Hyderabad Region.

TITLE: FIRST FLOOR FURNITURE LAYOUT PLAN

CONSULTANT:

Tech - Professionals and Consultants (Pvt) Ltd

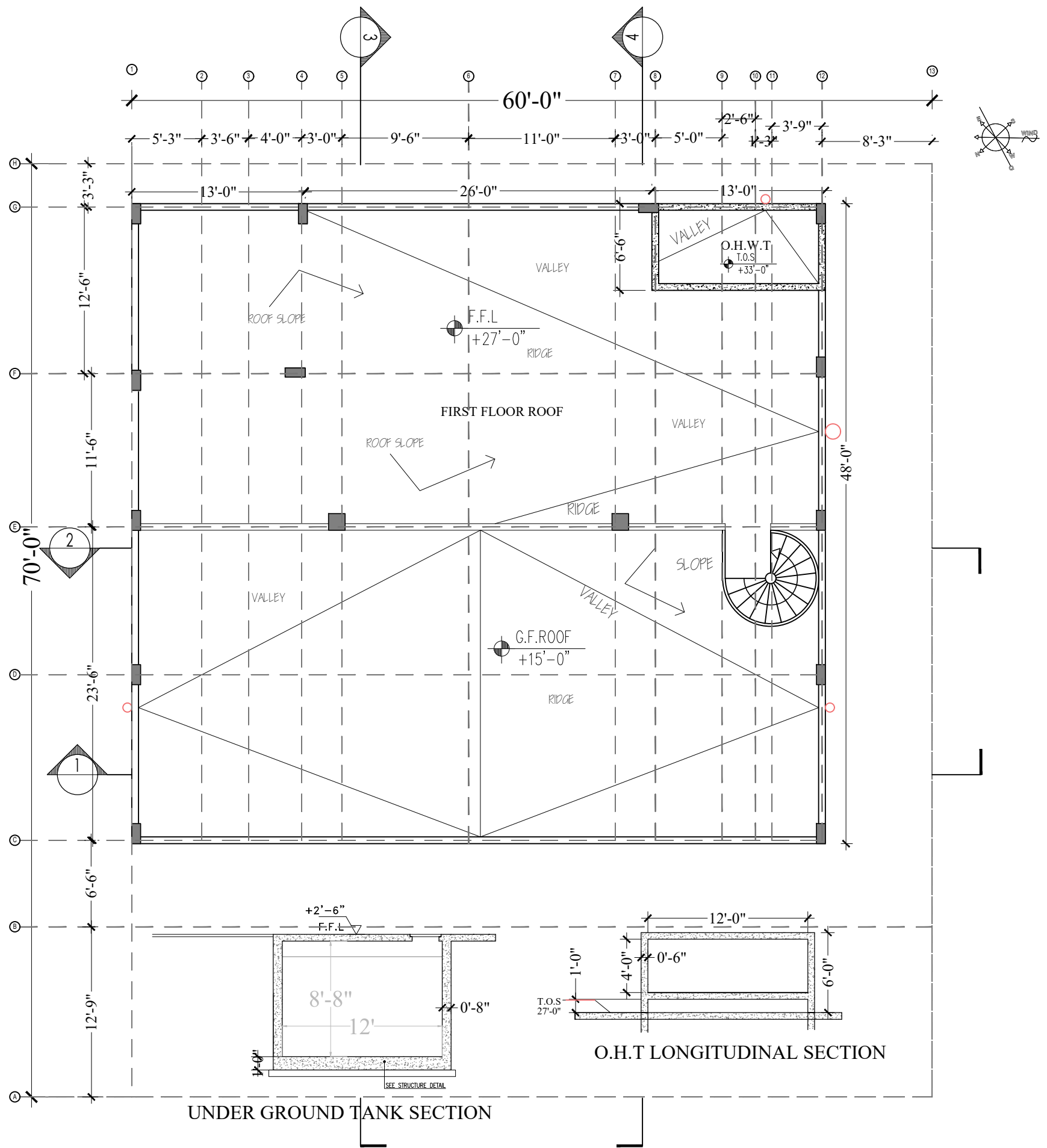


DATE: 05/06/22

JOB NO: 001

DWG NO: DWG. NO. TPC-002-A-002-A

REV: 01



ROOF PLAN
SCALE: 1/8 = 1'- 0"



NATIONAL BANK OF PAKISTAN

PROJECT: NBP PAF Bhulari Branch (000) Hyderabad Region.

TITLE: ROOF PLAN (WORKING DRAWING)

CONSULTANT:

Tech - Professionals and Consultants (Pvt) Ltd

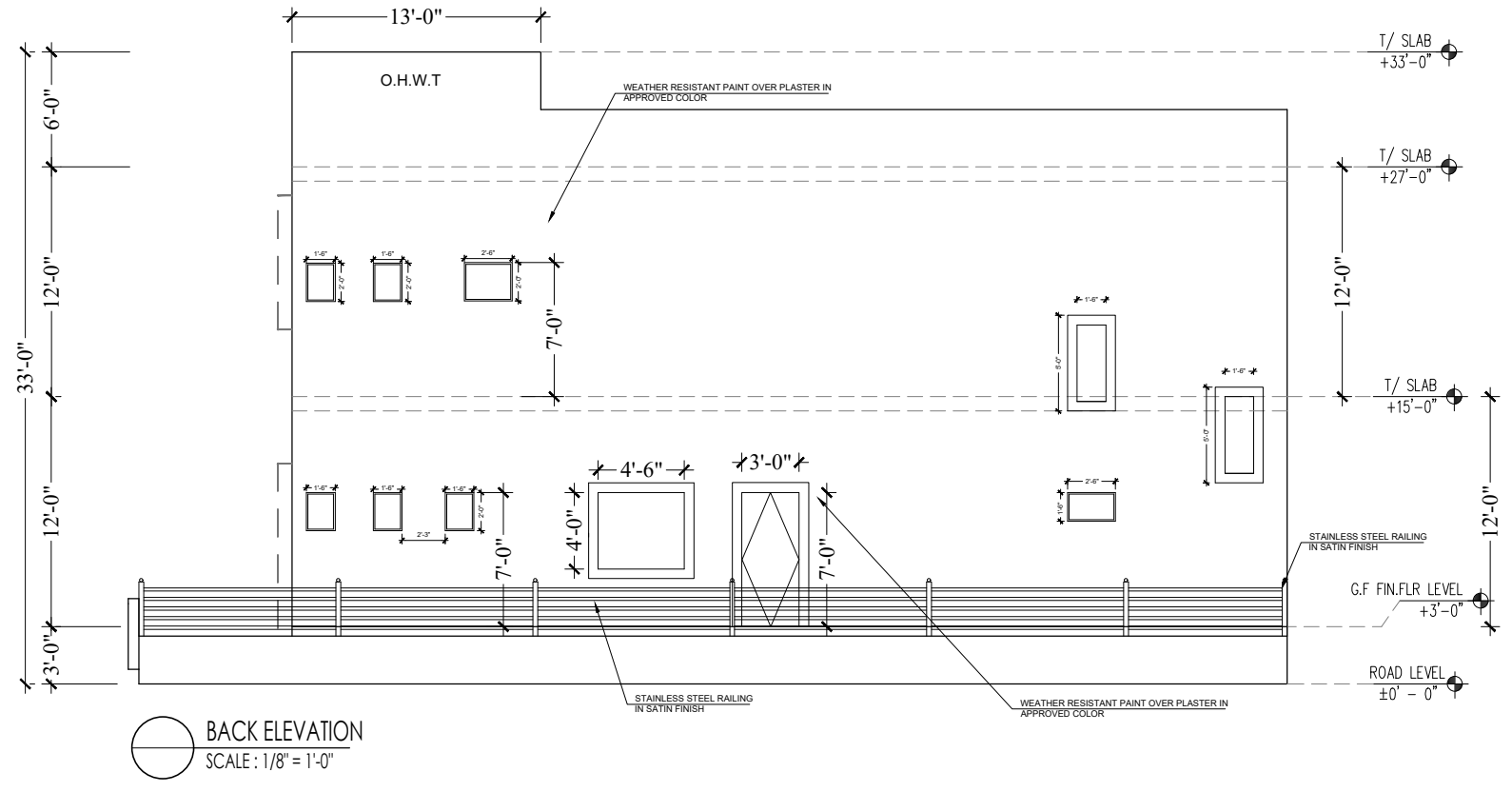
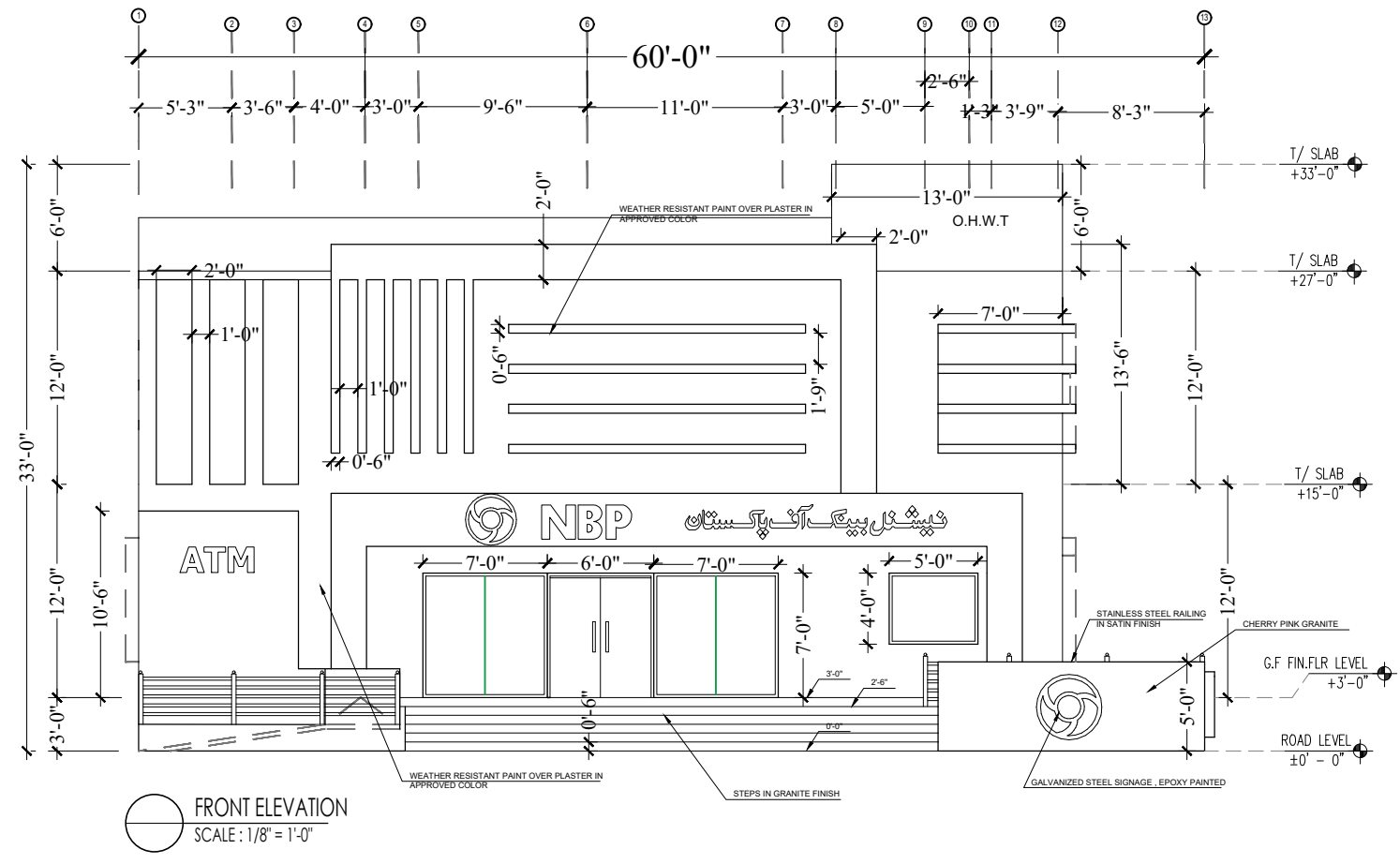




DATE: 05/06/22

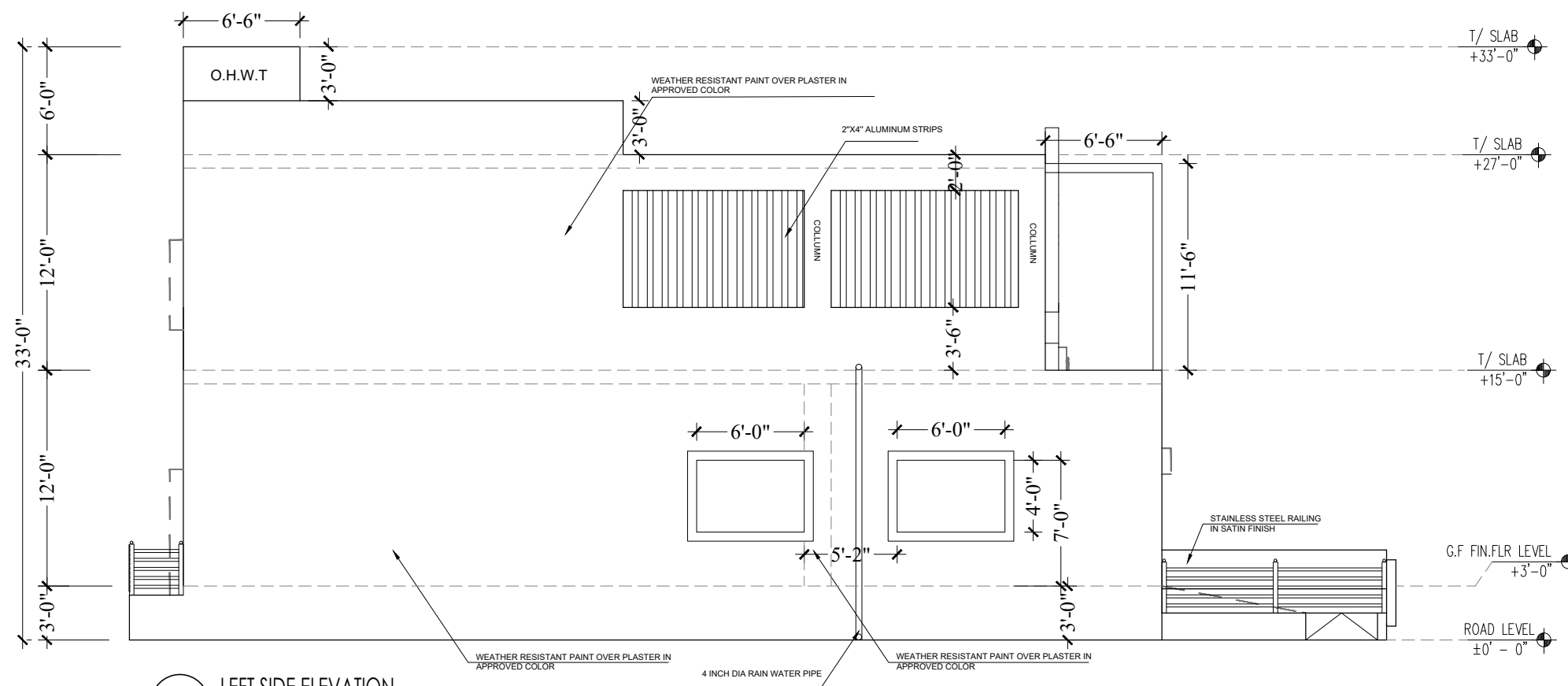
JOB NO: 001

DWG NO: DWG. NO. TPC-002-A-003

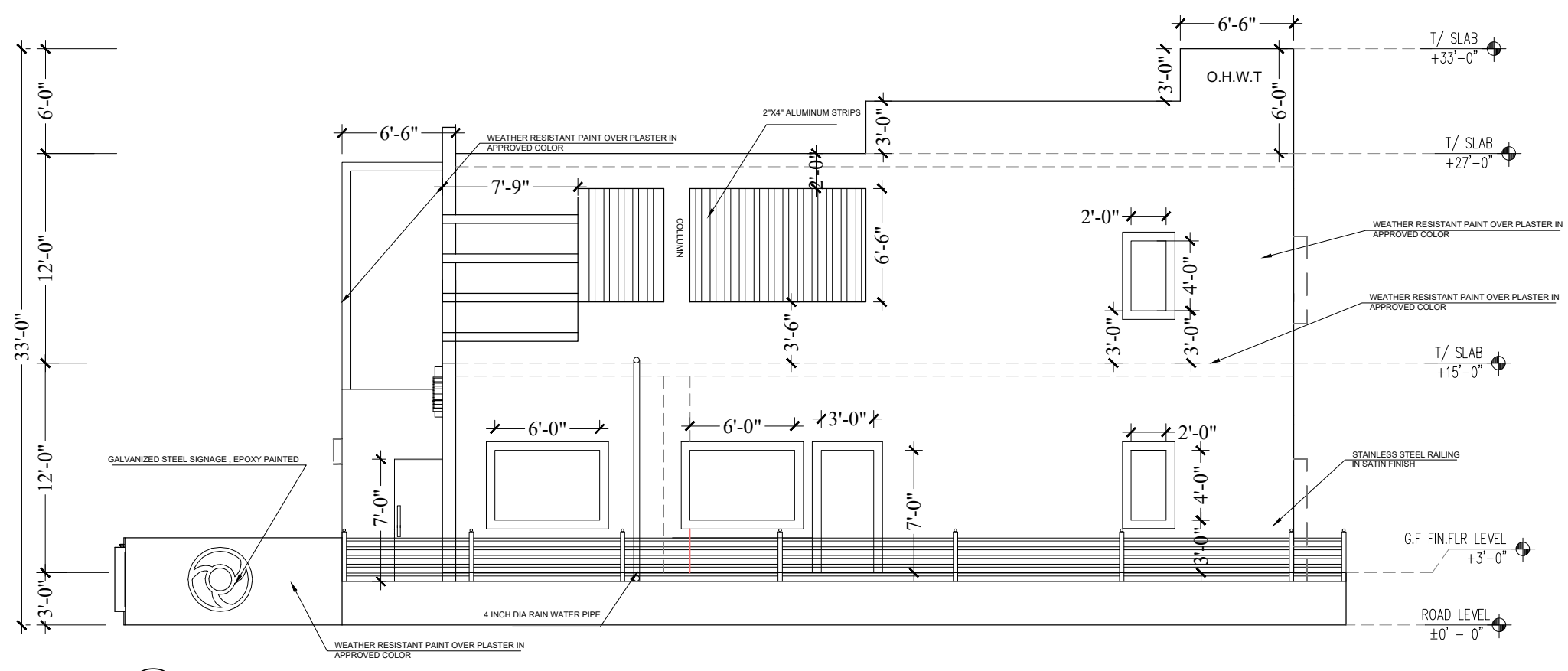
REV: 01





 NATIONAL BANK OF PAKISTAN			
PROJECT: NBP PAF Bhulari Branch (000) Hyderabad Region.			
TITLE: FRONT & BACK ELEVATIONS			
CONSULTANT: Tech - Professionals and Consultants (Pvt) Ltd			
			
DATE: 05/06/22	JOB NO: 001	DWG NO: DWG. NO. TPC-001-A-004	REV: 01

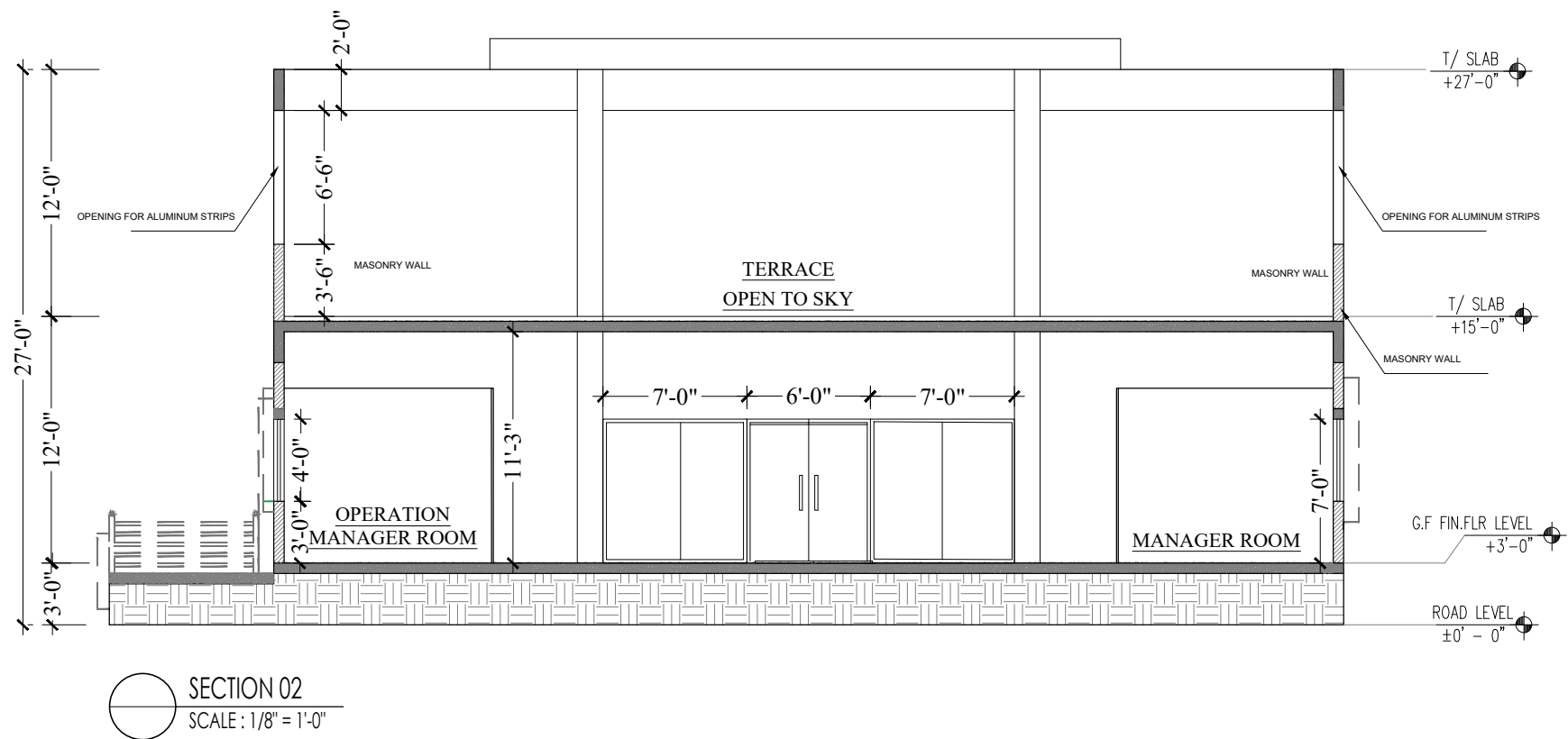
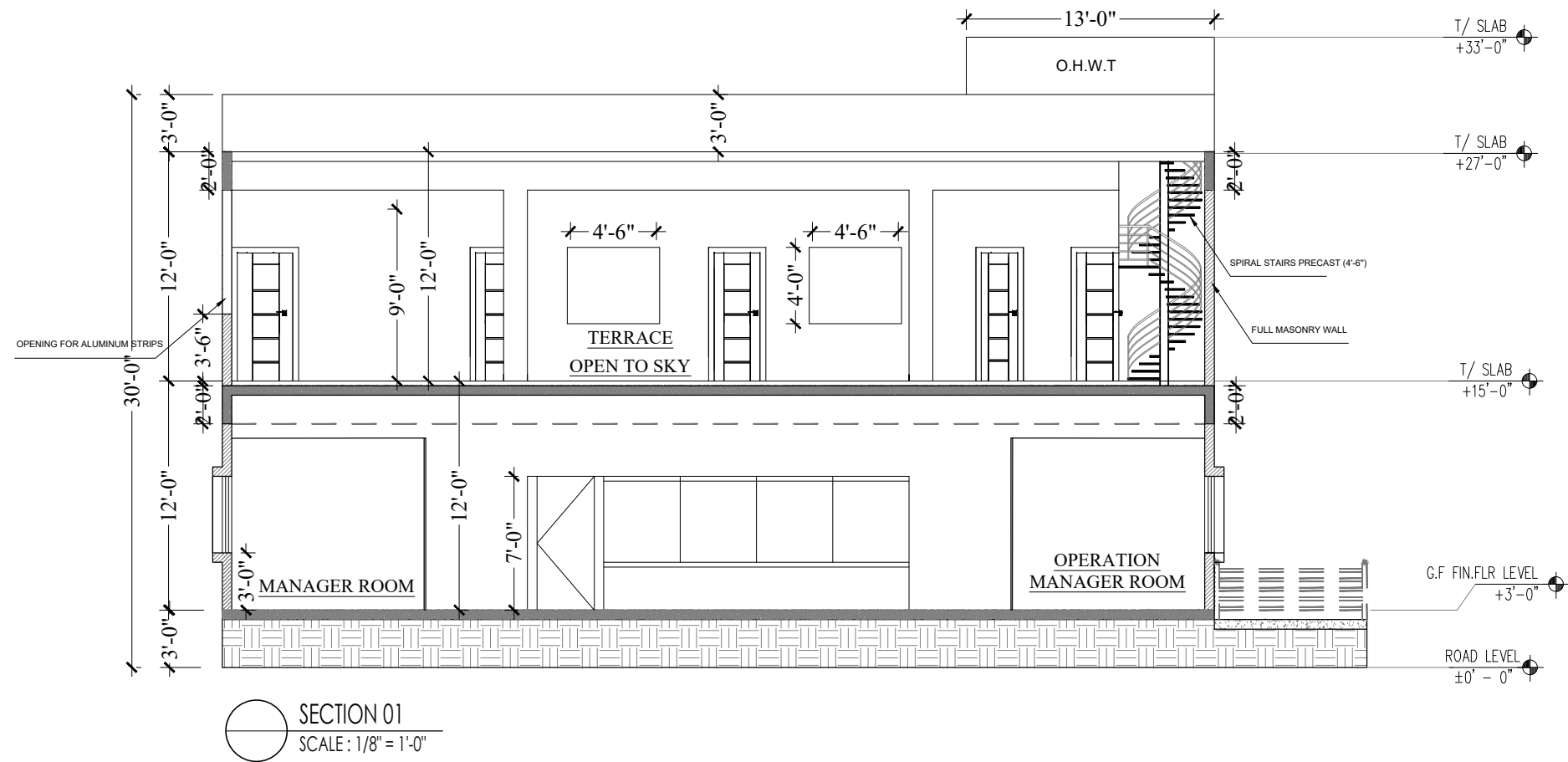




LEFT SIDE ELEVATION
SCALE: 1/8" = 1'-0"

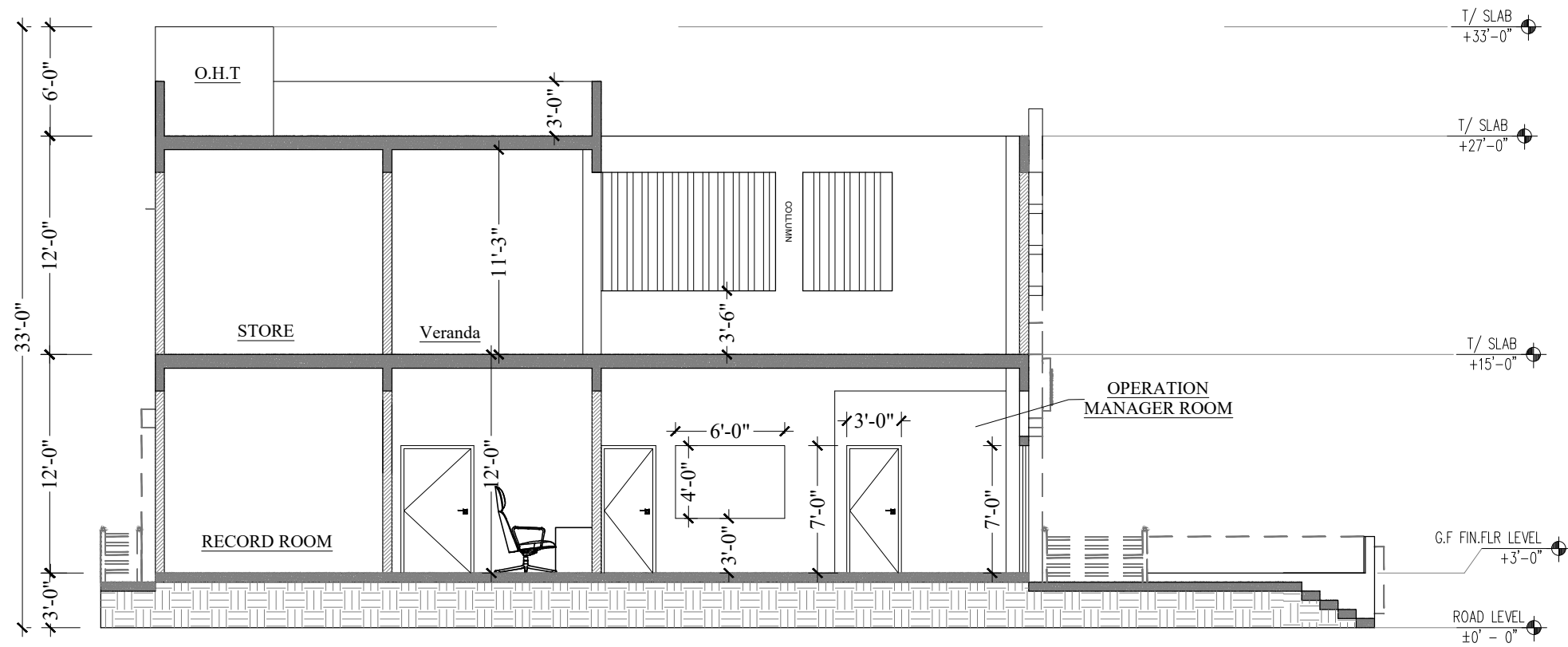


RIGHT SIDE ELEVATION
SCALE: 1/8" = 1'-0"

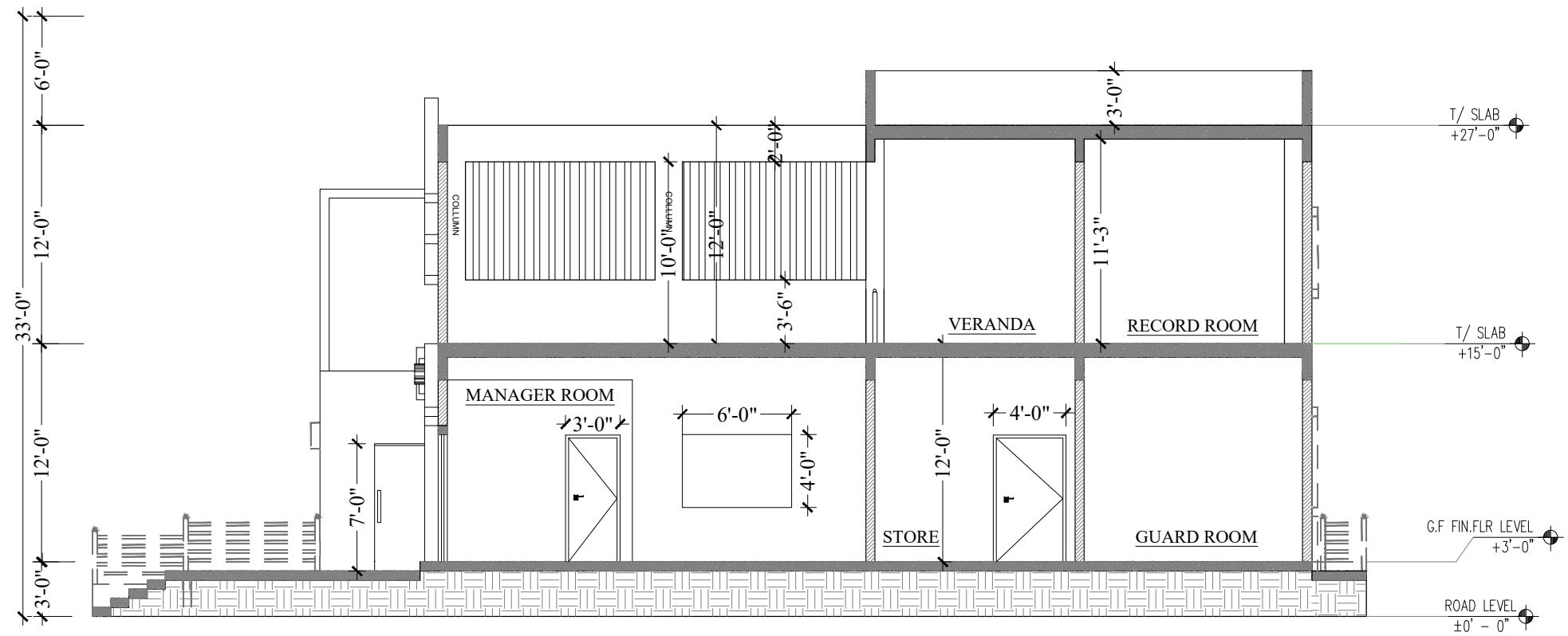
 NATIONAL BANK OF PAKISTAN <small>National Bank of Pakistan</small>	
PROJECT: NBP PAF Bhulari Branch (000) Hyderabad Region.	
TITLE: LEFT & RIGHT SIDE ELEVATIONS	
CONSULTANT: Tech - Professionals and Consultants (Pvt) Ltd	
	
DATE: 05/06/22	JOB NO: 001
DWG NO: DWG. NO. TPC-001-A-005	REV: 01





 NATIONAL BANK OF PAKISTAN			
PROJECT: NBP PAF Bhulari Branch (000) Hyderabad Region.			
TITLE: SECTION 01,02			
CONSULTANT: Tech - Professionals and Consultants (Pvt) Ltd			
			
DATE: 05/06/22	JOB NO: 001	DWG NO: DWG. NO. TPC-001-A-006	REV: 01



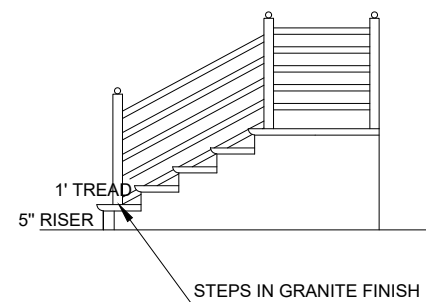
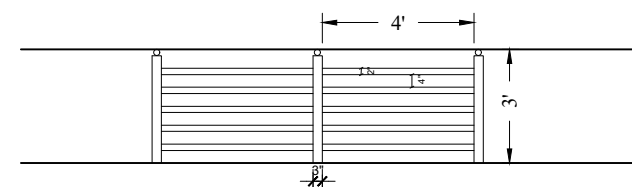
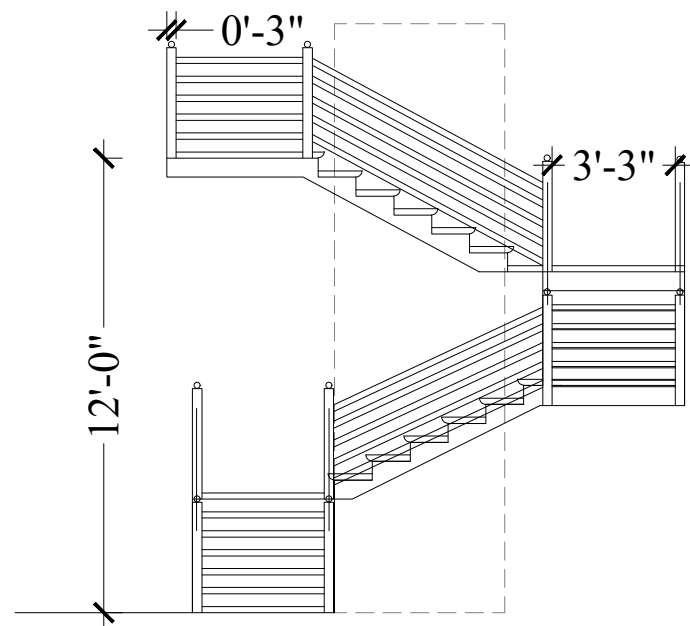
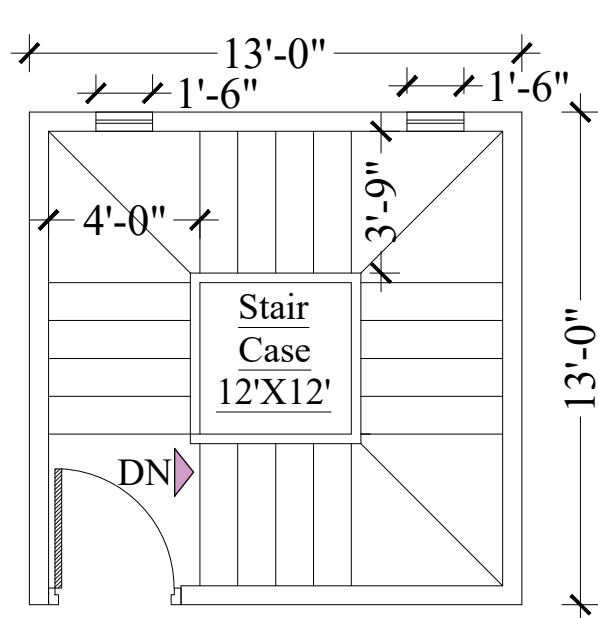
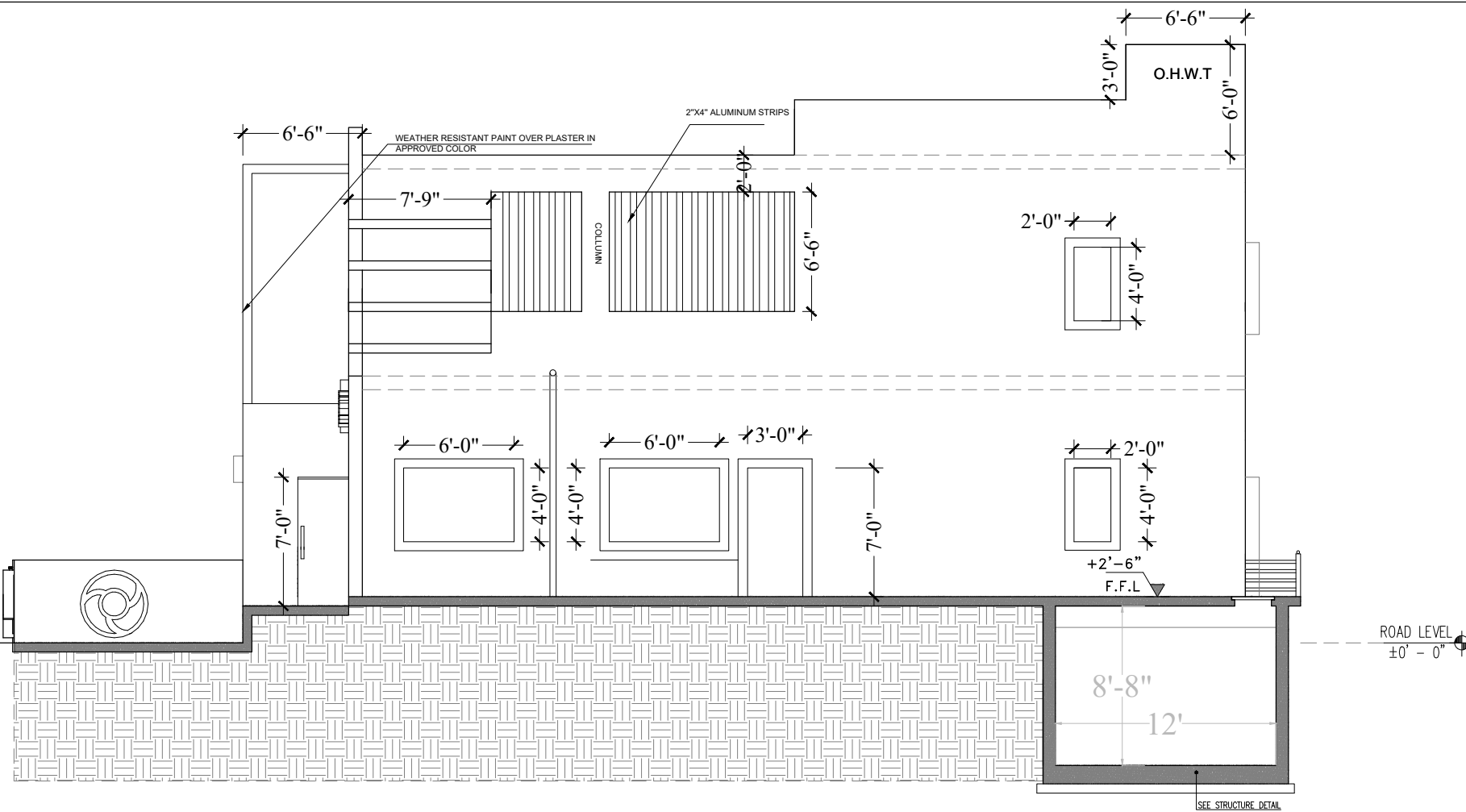
SECTION 03
SCALE: 1/8" = 1'-0"





SECTION 04
SCALE: 1/8" = 1'-0"

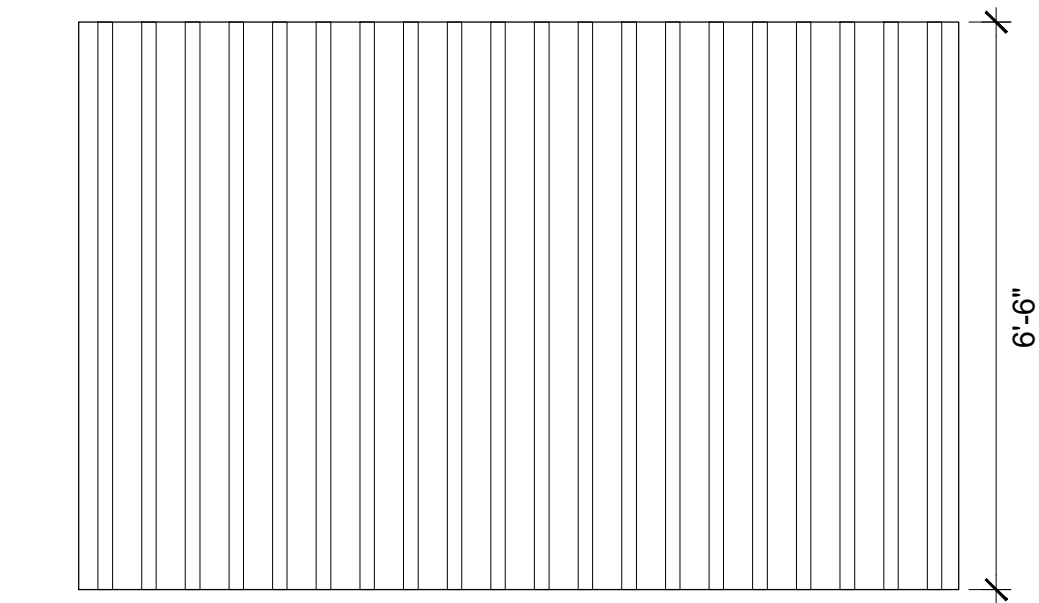
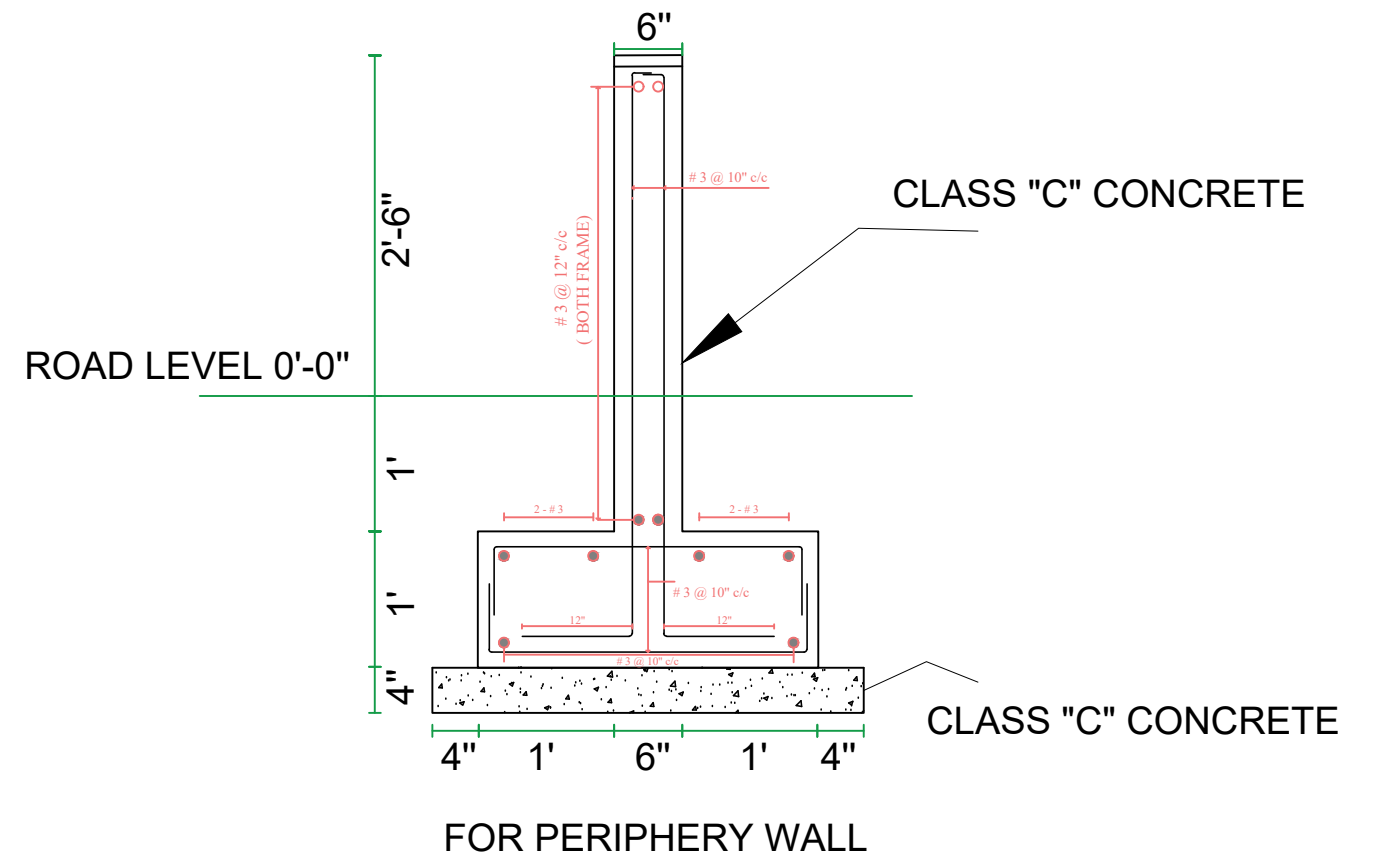
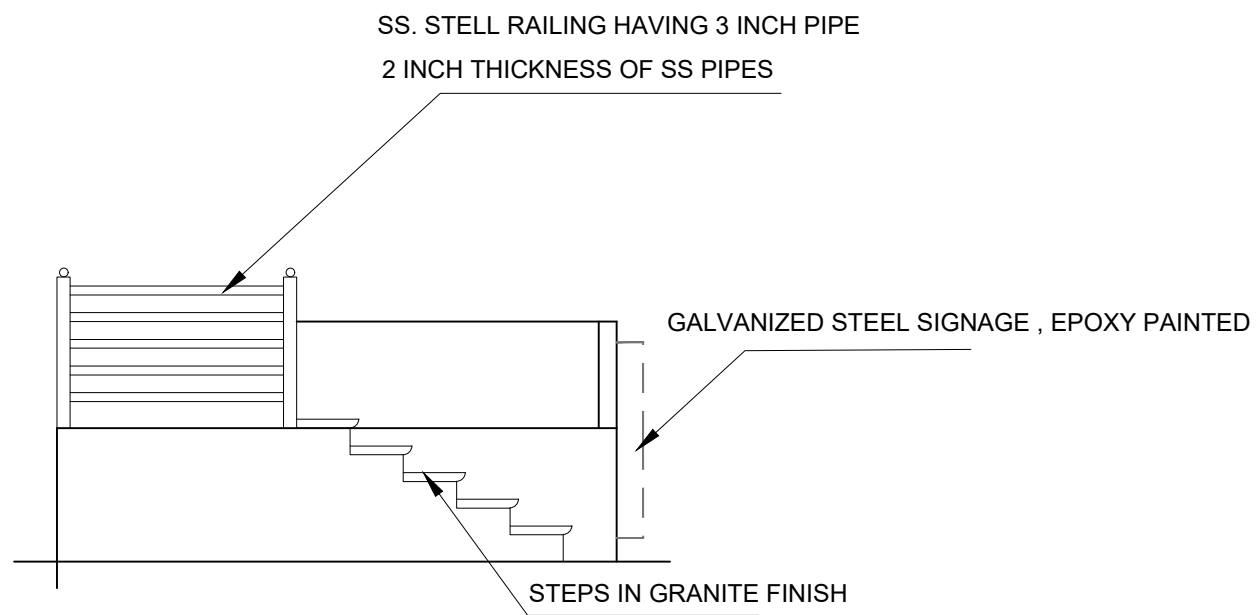
 NBP National Bank of Pakistan		NATIONAL BANK OF PAKISTAN	
PROJECT:		NBP PAF Bhulari Branch (000) Hyderabad Region.	
TITLE:		SECTION 03,04	
CONSULTANT:		Tech - Professionals and Consultants (Pvt) Ltd 	
DATE:	JOB NO:	DWG NO:	REV:
05/06/22	001	DWG. NO. TPC-001-A-007	01

U.G.T SECTION
SCALE: 1/8" = 1'-0"

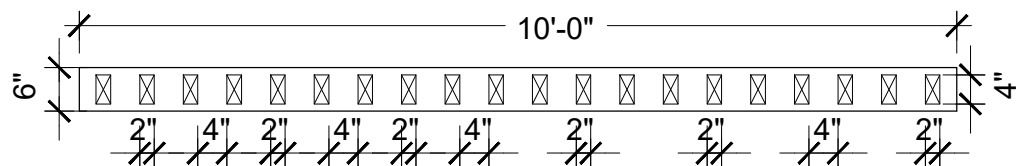


STAIRS AND RAILING DETAILS
SCALE: 1/8" = 1'-0"

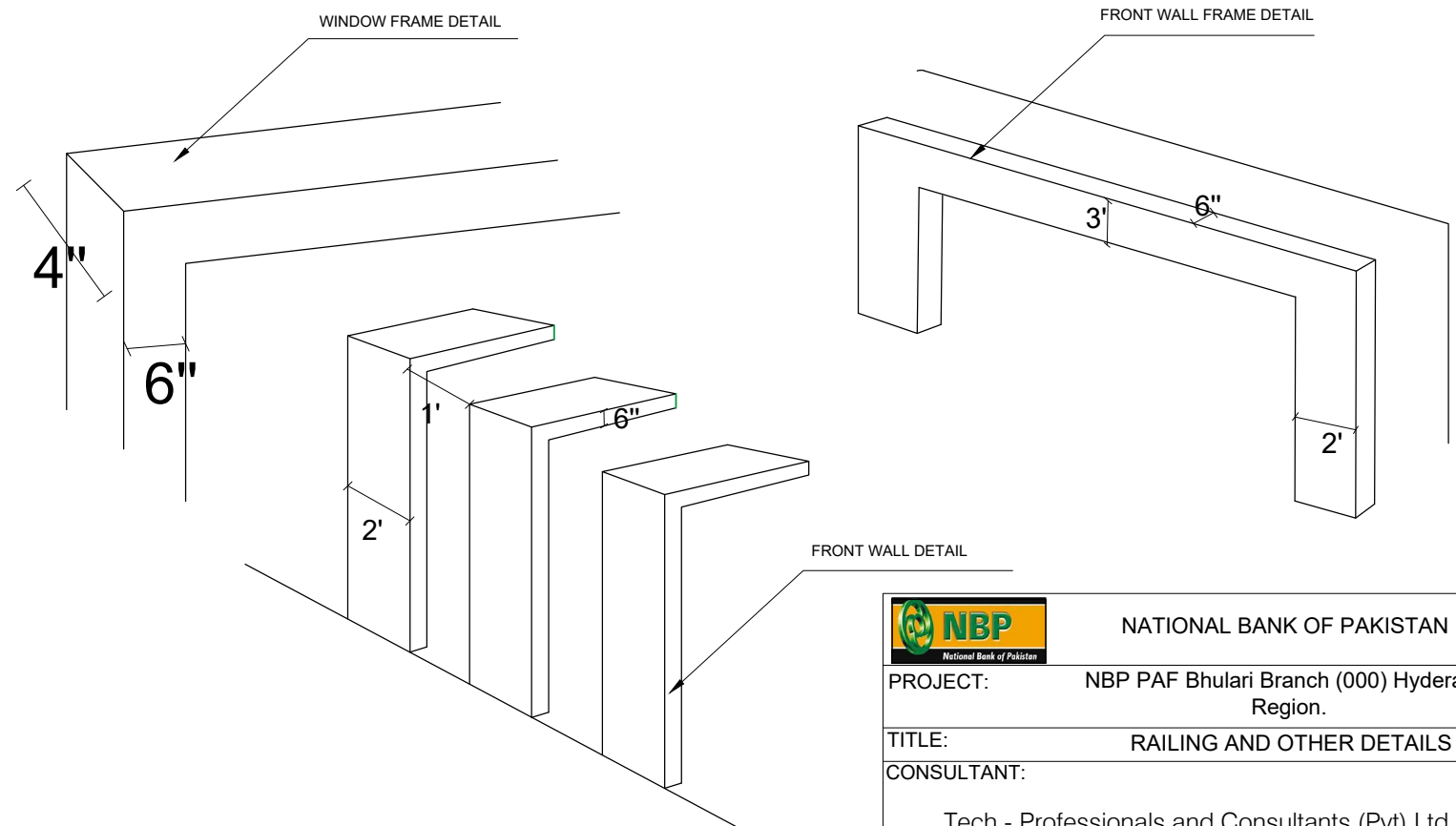
		NATIONAL BANK OF PAKISTAN	
PROJECT:		NBP PAF Bhulari Branch (000) Hyderabad Region.	
TITLE:		U.G.T SECTION DETAIL, STAIRS AND RAILING DETAIL	
CONSULTANT:		Tech - Professionals and Consultants (Pvt) Ltd 	
DATE:	JOB NO:	DWG NO:	REV:
05/06/22	001	DWG. NO. TPC-001-A-008	01





ALUMINUM STRIPS ELEVATION



ALUMINUM STRIPS PLAN



		NATIONAL BANK OF PAKISTAN	
PROJECT:		NBP PAF Bhulari Branch (000) Hyderabad Region.	
TITLE:		RAILING AND OTHER DETAILS	
CONSULTANT:		Tech - Professionals and Consultants (Pvt) Ltd 	
DATE:	JOB NO:	DWG NO:	REV:
05/06/22	001	DWG. NO. TPC-001-A-009	01

FINISHES:

FLOORING:

F01 600X600x10mm THK. (FULL BODY) FULLY VITRIFIED GLAZED PORCELAIN TILES IN APPROVED COLOR/SHADE AND TEXTURE ETC, COMPILING TO ISO 13006 Bl_a REQUIREMENTS. PROVIDE THERMAL EXPANSION 8mm THK. PVC STRIP IN 6mm GAP AT 3m C/C IN BOTH DIRECTIONS AS SHOWN IN DRAWINGS.

WET AREAS

F02 300X600x8mm THK. FULLY VITRIFIED SEMI GLAZED PORCELAIN TILES IN APPROVED COLOR/SHADE AND TEXTURE ETC, COMPILING TO ISO 13006 Bl_a REQUIREMENTS.

SUB FLOOR SPECIFICATION

CLASS C CONCRETE 4" THICK
3" THICK STONE SOILING

MANAGER ROOMS

F04 150X900x10mm THK. (FULL BODY) FULLY VITRIFIED GLAZED PORCELAIN TILES IN APPROVED COLOR/SHADE AND TEXTURE ETC, COMPILING TO ISO 13006 Bl_a REQUIREMENTS. PROVIDE THERMAL EXPANSION 8mm THK. PVC STRIP IN 6mm GAP AT 3m C/C IN BOTH DIRECTIONS AS SHOWN IN DRAWINGS.

PODIUM

F05 600X1200X20mm CHERRY PINK GRANITE TILES CHEMICALLY POLISHED, IN APPROVED COLOR, TEXTURE ETC.

STAIRS

F06 CHERRY PINK GRANITE TILES CHEMICALLY POLISHED, IN APPROVED COLOR, TEXTURE ETC.
TREAD 4'-0" LONG X 20 MM THICK
RISER 4'-0" LONG X 10 MM THICK

CEILING:

C01 BANKING HALL AND ROOMS

COMBINATION
GYPSUM FALL CIELING 12 MM THICK (4 FEET X 8 FEET)
INCLUDING PAINT.

WET AREAS

C02 100MMWIDE X 0.5MM THK. NON-PERFORATED ALUMINUM STRIP CEILING ;WITH SQUARE EDGES; COMPATIBLE SUSPENSION SYSTEM CONSIST OF PANELS LAID INTO PRE-PUNCHED CARRIERS, SUPPORTED BY SUSPENDED WIRE HANGER BY USING ADJUSTABLE CLIP-IN GRID SYSTEM. CORROSION RESISTANCE & FIRE RESISTANCE. COMPLETE IN ALL RESPECT. (MAKE CARTEL, R.A.M OR EQUIVALENT)

MANAGER ROOMS

C03 WOODEN FALSE CEILING

C03 WOODEN RAFTER
HALF INCH THICK LAMINATED LASSANI BOX 4INCH X 4 I
NCH (4 TO 6 FEET LONG) AT 4 FEET TO 6 FEET C/C

STORE

C04 PLASTIC EMULSION PAINT ONTO SOFFIT/EXPOSED SURFACE
PODIUM

CEILING

C01 HALL
GYPSUM 8-0 X 4'-0
RAFTER
4'X 4' BOX LAMINATED LASSANE 3 FEET 4 FEET C/C
WOODEN
MANAGER ROOM

W01 WALL:

INTERNAL ROOF - DISTUMBER
INTERNAL WALL - PLASIC EMULSION PAINT
EXTERNAL WALLS - WEATHER RISISTAN PAINT

SKIRTING:

LOUNGE AND OFFICES

SK-1 150mm HIGH PORCELAIN TILE SKIRTING (MATCH WITH FLOOR)

SK-2 150mm HIGH & 10 MM THC POLISHED GRANITE TILE SKIRTING

WINDOW SCHEDULE
SCALE: AS SHOWN



NATIONAL BANK OF PAKISTAN

PROJECT: NBP PAF Bhulari Branch (000) Hyderabad Region.

TITLE: WINDOW SCHEDULE

CONSULTANT:

Tech - Professionals and Consultants (Pvt) Ltd

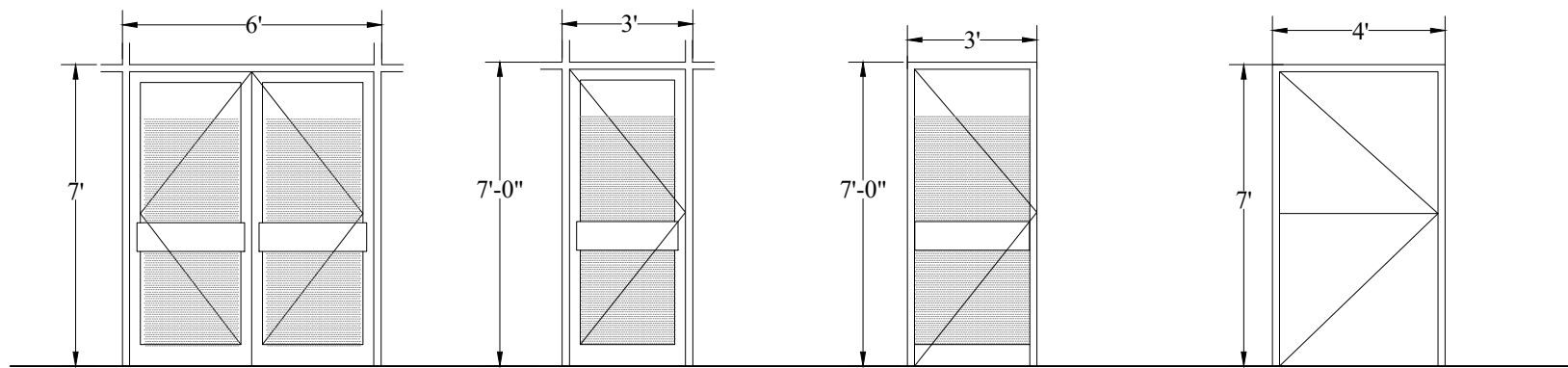


DATE: 05/06/22

JOB NO: 001

DWG NO: DWG. NO. TPC-001-A-W01

REV: 01

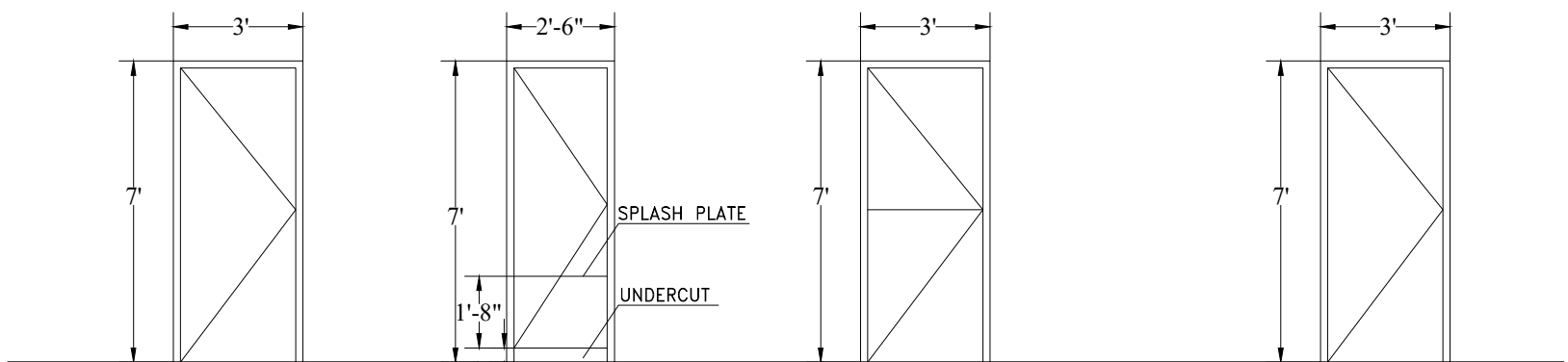


D1
 FRAMELESS GLASS DOOR
 12 MM THICK, TEMPERED GLASS
 INCLUDING FROST PAPER, FITTING
 FIXTURES (SS PATCH FITTING, DOOR
 LOCKS, SS DOOR HANDLE 1 INCH DIA &
 2 FEET LONG , DOOR MACHINE ETC
 (FOR ENTRANCE/CORRIDOR DOORS)

D2
 FRAMELESS GLASS DOOR
 12 MM THICK, TEMPERED GLASS
 INCLUDING FROST PAPER, FITTING
 FIXTURES (SS PATCH FITTING, DOOR
 LOCKS, SS DOOR HANDLE 1 INCH DIA &
 2 FEET LONG , DOOR MACHINE ETC
 (FOR OFFICE DOORS)

D3
 FRAMELESS GLASS DOOR
 12 MM THICK, TEMPERED GLASS INCLUDING
 FROST PAPER, FITTING
 FIXTURES (SS PATCH FITTING, DOOR LOCKS,
 SS DOOR HANDLE 1 INCH DIA & 2 FEET
 LONG , DOOR MACHINE ETC
 (FOR ATM DOORS)

D4
 HIGHLY SPECIALIZED SECURITY
 DOOR WITH COMPATIBLE HARDWARE
 SET COMPLETE, FIRE RATED AS PER
 MANUFACTURE STANDARDS.
 (FOR LOCKER AND STRONG ROOM)

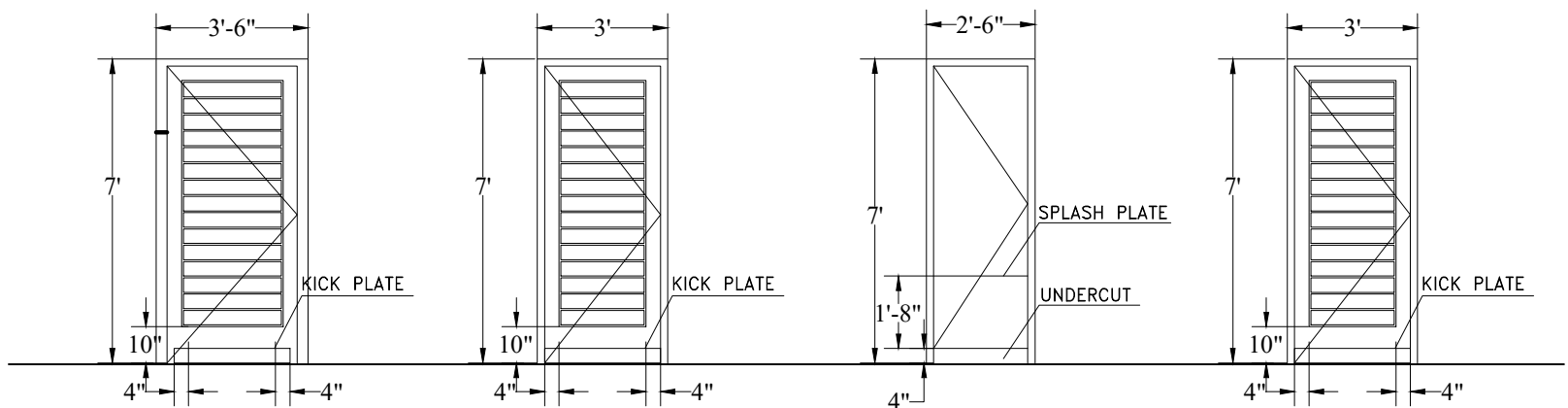


D5
 44 mm thick Hollow metal Door
 epoxy painted filled with
 Polyurethane by injection method,
 & 90 minutes Fire Rated.
 (FOR RECORD ROOM)

D6
 38mm THICK SINGLE
 LEAF, SINGLE SWING, SOLID
 CORE FLUSH DOOR IN
 TEAKWOOD FRAME IN
 FORMICA FINISHED, Brass/
 S.S (Tower Bolts & Hing),
 Best quality Door Lock and
 Door Stopper.
 (FOR TOILET DOOR)

D7
 44 mm thick Hollow metal Door
 epoxy painted filled with
 Polyurethane by injection method,
 & 90 minutes Fire Rated.
 (FOR EMERGENCY EXIT)

D8
 38mm THICK SINGLE
 LEAF, SINGLE SWING, SOLID
 CORE FLUSH DOOR IN
 TEAKWOOD FRAME IN
 FORMICA FINISHED, Brass/
 S.S (Tower Bolts & Hing),
 Best quality Door Lock and
 Door Stopper.
 (FOR WET AREAS DOORS)



D9
 38mm THICK SINGLE
 LEAF, SINGLE SWING, SOLID
 CORE FLUSH DOOR IN
 TEAKWOOD FRAME IN
 FORMICA FINISHED, Brass/
 S.S (Tower Bolts & Hing),
 Best quality Door Lock and
 Door Stopper.
 (FOR WET AREAS DOORS)

D10
 38mm THICK SINGLE
 LEAF, SINGLE SWING, SOLID
 CORE FLUSH DOOR IN
 TEAKWOOD FRAME IN
 FORMICA FINISHED, Brass/
 S.S (Tower Bolts & Hing),
 Best quality Door Lock and
 Door Stopper.
 (FOR WET AREAS DOORS)

D11
 38mm THICK SINGLE
 LEAF, SINGLE SWING, SOLID
 CORE FLUSH DOOR IN
 TEAKWOOD FRAME IN
 FORMICA FINISHED, Brass/
 S.S (Tower Bolts & Hing),
 Best quality Door Lock and
 Door Stopper.
 (FOR TOILET CUBICAL DOOR)

D12
 38mm THICK SINGLE
 LEAF, SINGLE SWING, SOLID
 CORE FLUSH DOOR IN
 TEAKWOOD FRAME IN
 FORMICA FINISHED, Brass/
 S.S (Tower Bolts & Hing),
 Best quality Door Lock and
 Door Stopper.
 (FOR WET AREAS DOORS)

DOOR SCHEDULE
 SCALE: AS SHOWN



NATIONAL BANK OF PAKISTAN

PROJECT: NBP PAF Bhulari Branch (000) Hyderabad Region.

TITLE: DOOR SCHEDULE

CONSULTANT: Tech - Professionals and Consultants (Pvt) Ltd

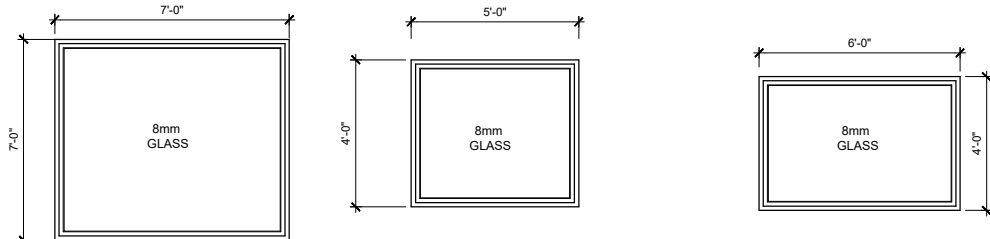
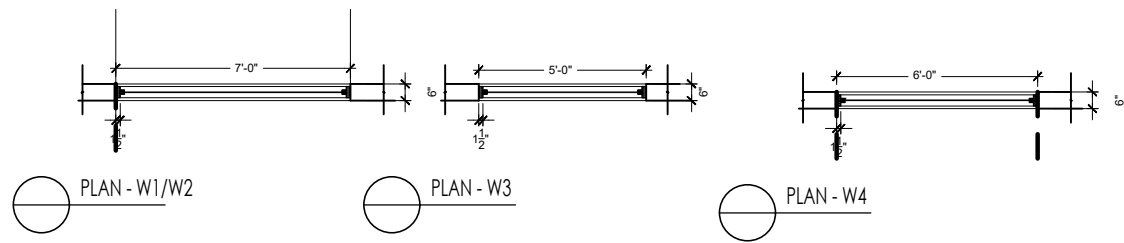


DATE: 05/06/22

JOB NO: 001

DWG NO: DWG. NO. TPC-001-A-D01

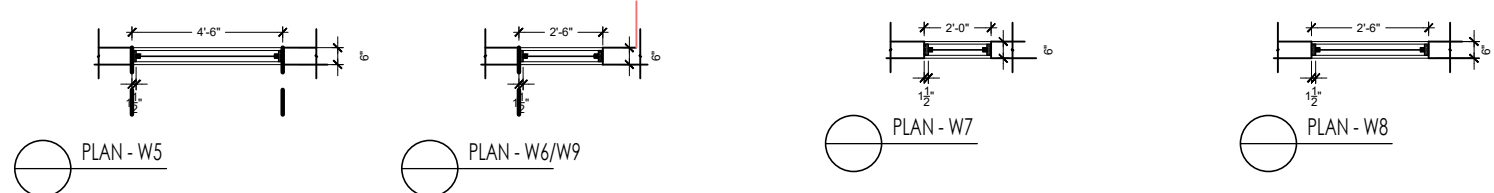
REV: 01



ELEVATION - W1/W2
 8MM THICK TEMPERED GLASS TINTED, FIXED GLAZED PANELS IN ANODIZED HEAVY DUTY ALUM FRAME.(DELUXE TYPE IN ALUM. FRAMING TO SOFFIT,COMPLETE IN ALL RESPECT. (FOR OFFICES)

ELEVATION - W3
 6 inch concrete frame Extruding 4 inch out of the back wall. 8MM THICK TEMPERED GLASS ,TINTED, WITH FIXED GLAZED PANELS IN ANODIZED HEAVY DUTY ALUM FRAME.(DELUXE TYPE) IN ALUM. FRAMING TO SOFFIT,COMPLETE IN ALL RESPECT. (FOR OFFICES)

ELEVATION - W4
 6 inch concrete frame Extruding 4 inch out of the back wall. 8MM THICK TEMPERED GLASS ,TINTED, WITH FIXED GLAZED PANELS IN ANODIZED HEAVY DUTY ALUM FRAME.(DELUXE TYPE IN ALUM. FRAMING TO SOFFIT,COMPLETE IN ALL RESPECT. (FOR OFFICES)

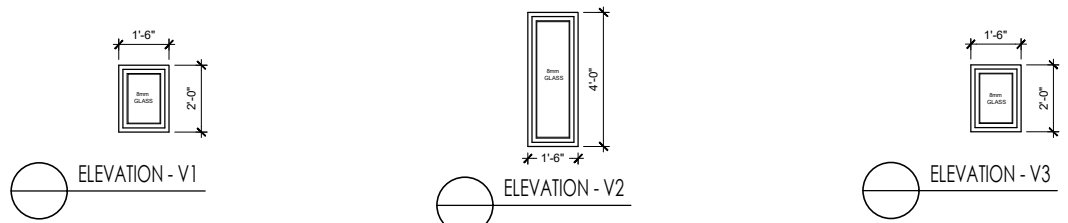
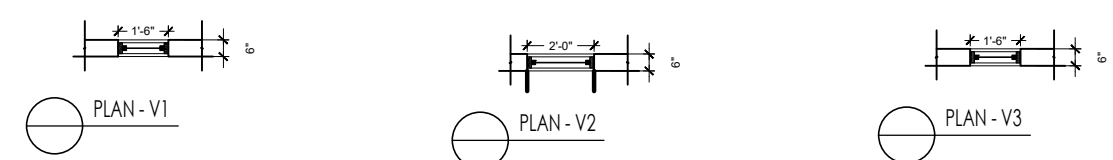


ELEVATION - W5
 6 inch concrete frame Extruding 4 inch out of the back wall. 8MM THICK TEMPERED GLASS ,TINTED, FIXED GLAZED PANELS IN ANODIZED HEAVY DUTY ALUM FRAME.(DELUXE TYPE IN ALUM. FRAMING TO SOFFIT,COMPLETE IN ALL RESPECT. (FOR OFFICES)

ELEVATION - W6/W9
 6 inch concrete frame Extruding 4 inch out of the back wall. 8MM THICK TEMPERED GLASS ,TINTED, FIXED GLAZED PANELS IN ANODIZED HEAVY DUTY ALUM FRAME.(DELUXE TYPE IN ALUM. FRAMING TO SOFFIT,COMPLETE IN ALL RESPECT. (FOR OFFICES)

ELEVATION - W7
 6 inch concrete frame Extruding 4 inch out of the back wall. 8MM THICK TEMPERED GLASS ,TINTED, WITH FIXED GLAZED PANELS IN ANODIZED HEAVY DUTY ALUM FRAME.(DELUXE TYPE) IN ALUM. FRAMING TO SOFFIT,COMPLETE IN ALL RESPECT. (FOR OFFICES)

ELEVATION - W8
 8MM THICK TEMPERED GLASS TINTED, WITH FIXED GLAZED PANELS IN ANODIZED HEAVY DUTY ALUM FRAME.(DELUXE TYPE) IN ALUM. FRAMING TO SOFFIT,COMPLETE IN ALL RESPECT. (FOR OFFICES)




ELEVATION - V1
 8MM THICK TEMPERED GLASS TINTED, WITH FIXED GLAZED PANELS IN ANODIZED HEAVY DUTY ALUM FRAME.(DELUXE TYPE) IN ALUM. FRAMING TO SOFFIT,COMPLETE IN ALL RESPECT. (FOR OFFICES)

ELEVATION - V2
 6 inch concrete frame Extruding 4 inch out of the back wall. 8MM THICK TEMPERED GLASS ,TINTED, WITH FIXED GLAZED PANELS IN ANODIZED HEAVY DUTY ALUM FRAME.(DELUXE TYPE) IN ALUM. FRAMING TO SOFFIT,COMPLETE IN ALL RESPECT. (FOR OFFICES)

ELEVATION - V3
 8MM THICK TEMPERED GLASS TINTED, WITH FIXED GLAZED PANELS IN ANODIZED HEAVY DUTY ALUM FRAME.(DELUXE TYPE) IN ALUM. FRAMING TO SOFFIT,COMPLETE IN ALL RESPECT. (FOR OFFICES)

FINISHES SCHEDULES AND DESCRIPTION

 NATIONAL BANK OF PAKISTAN	
PROJECT: NBP PAF Bhulari Branch (000) Hyderabad Region.	
TITLE: FINISHES SCHEDULES AND DESCRIPTION	
CONSULTANT: Tech - Professionals and Consultants (Pvt) Ltd	
DATE: 05/06/22	JOB NO: 001
DWG NO: DWG. NO. TPC-002-A-S01	REV: 01

